

PRODUCT NOTES:

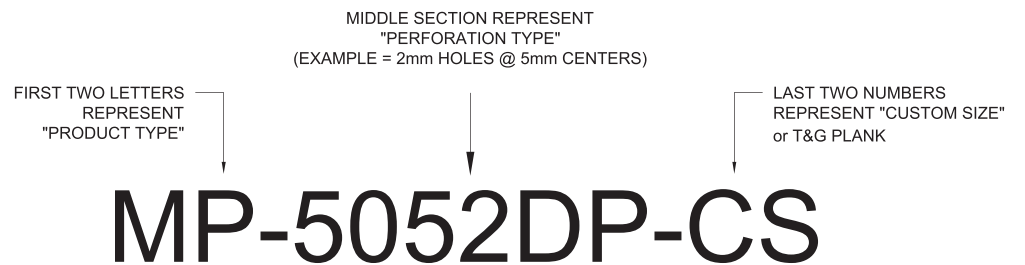
THESE ARE THE STANDARD GEOPANEL CONFIGURATIONS. CONTACT GEOMETRIK FOR INFORMATION REGARDING CUSTOM SIZES.

CUSTOM SIZES CAN BE UP TO 4'-0" WIDE X 8'-0" LONG.

TYPICAL STEPS FOR CUTTING PANELS:

1. MEASURE NON-FULL SQUARE DIMENSIONS DESIRED.
2. DETERMINE PANEL SIDE EDGE TO BE CUT.
3. SELECT PROFILE TO BE CUT.
4. CUT PANEL TO DESIRED WIDTH/ LENGTH.
5. RE-PROFILE NECESSARY GROOVES AS PER PRIOR TO CUTTING.
6. REPLACE EDGE BANDING TO MATCH.
7. REFINISH EDGE BANDING TO MATCH.

HOW TO READ PRODUCT "SKU" :



"SKU" ABBREVIATIONS:

- MP = MICRO PERFO S  
 CS = CUSTOM SIZE  
 T&G = T&G PLANK  
 DP = DIAGONAL PATTERN



www.geometrik.com info@geometrik.com

Description:  
**SKU INFORMATION**

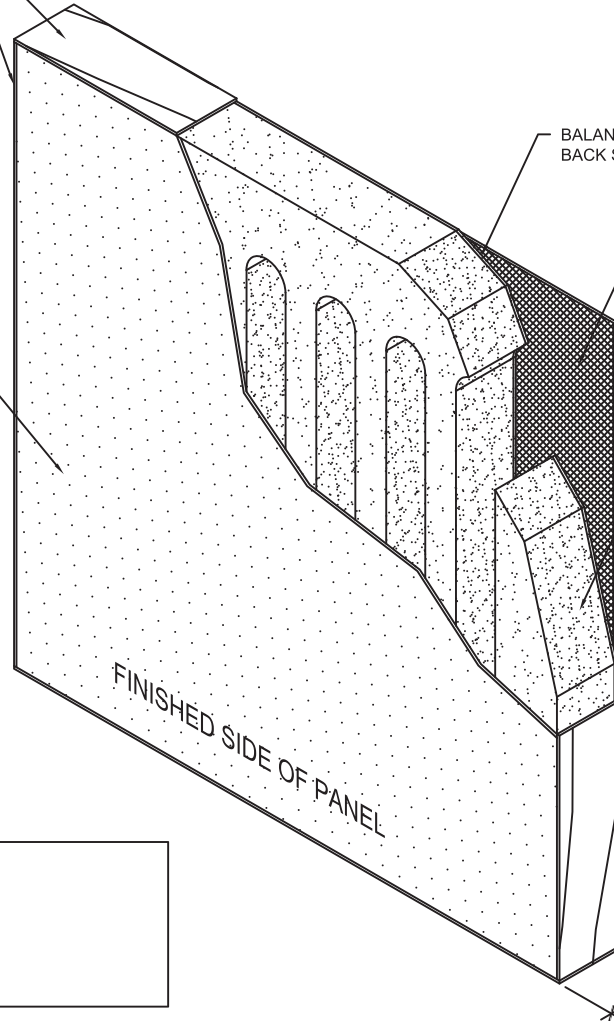
Product:  
**MICRO PERFO S**

Date: **JAN 2018** Drawn By: **MP**

Sheet No:  
**MP 1.0**

VENEER EDGE BANDING TO MATCH DECORATIVE FACE VENEER TYP.

DECORATIVE FACE VENEER WITH MICROPERFORATION



BALANCING VENEER ON BACK SIDE OF PANEL

HATCH INDICATES FACTORY APPLIED BLACK ACOUSTIC FABRIC TO BACK SIDE OF PANEL TYP.

MDF CORE BOARD

FINISHED SIDE OF PANEL

3/4"

STANDARD PANEL THICKNESS = 3/4"  
\*OPTIONAL THICKNESS AVAILABLE.

PRODUCT: MICROPERFO S  
SKU#: MP-5052DP-CS



www.geometrik.com info@geometrik.com

Description:  
TYPICAL WOOD PANEL CONSTRUCTION

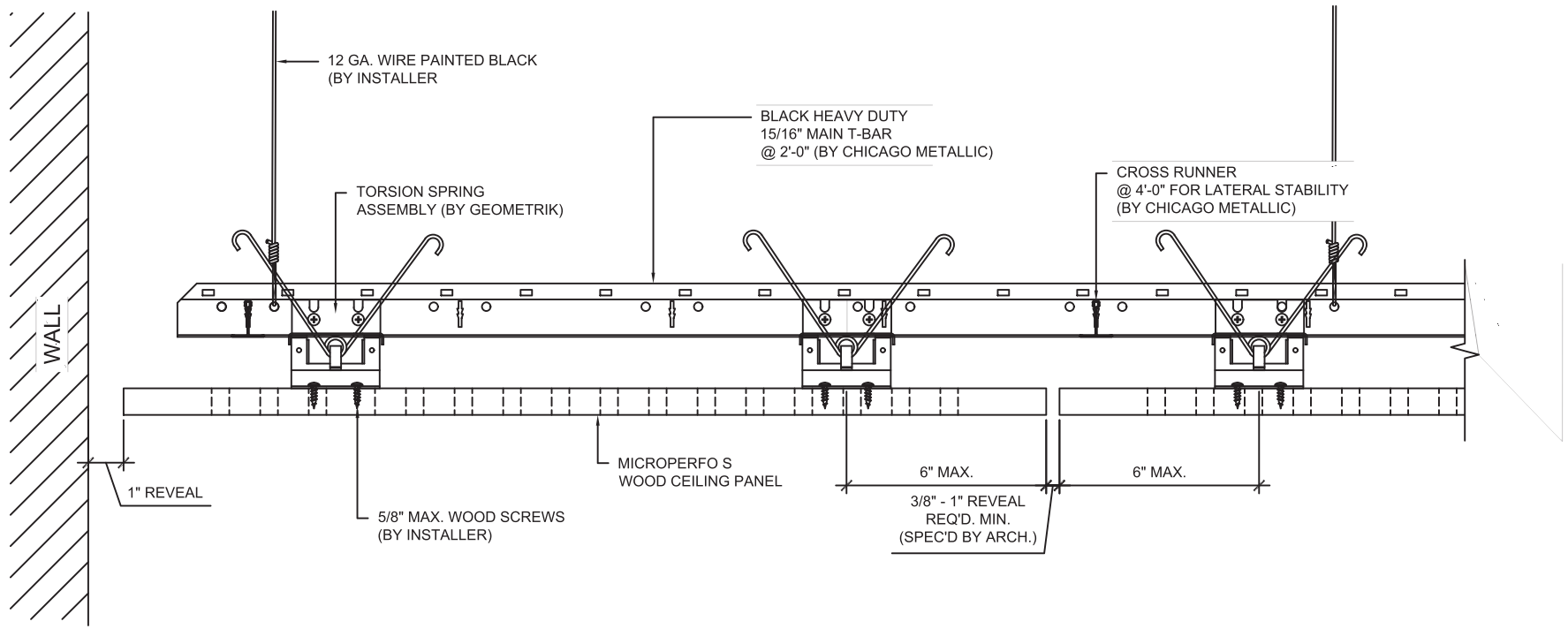
Product:  
MICROPERFO S

Date: JAN 2018

Drawn By: MP

Sheet No:

MP 1.1



www.geometrik.com info@geometrik.com

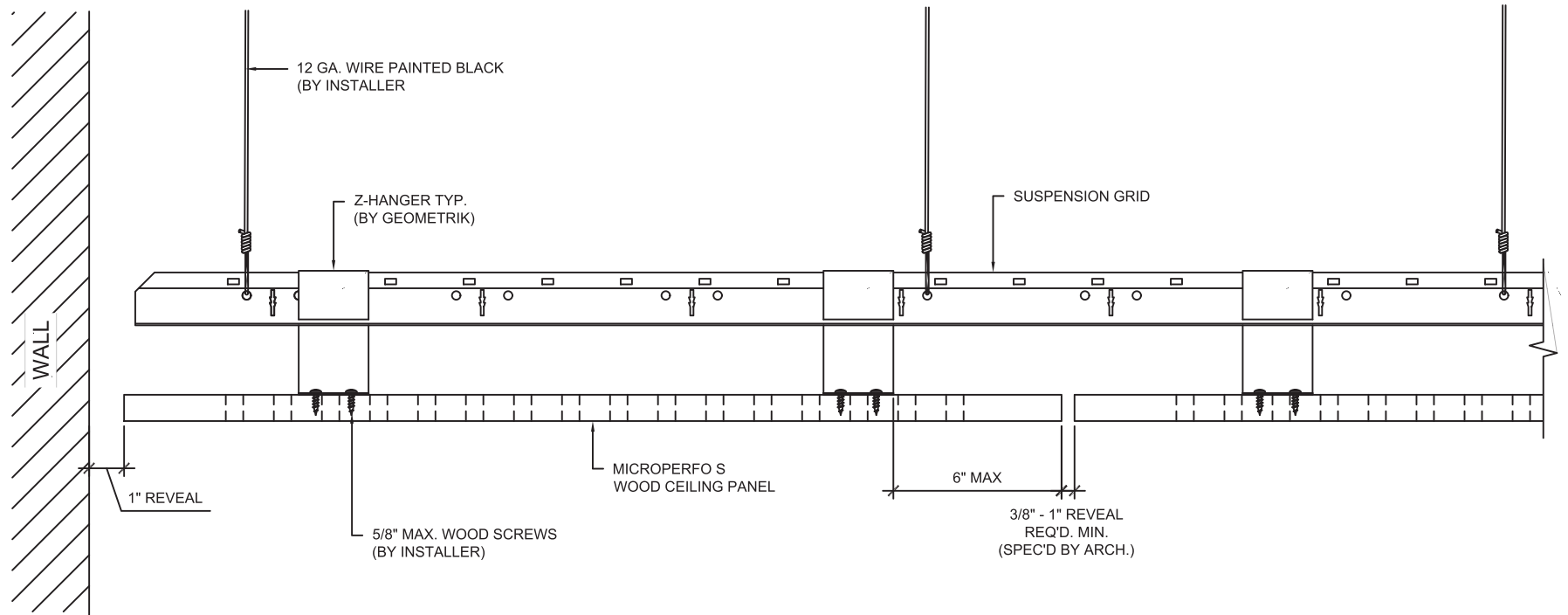
Description:  
**TORSION SPRING  
 SUSPENSION SYSTEM**

Product:  
**MICRO PERFO S**

Date: JAN 2018

Drawn By: MP

Sheet No:  
**MP 2.0**



www.geometrik.com info@geometrik.com

Description:  
**Z-HANGER  
SUSPENSION**

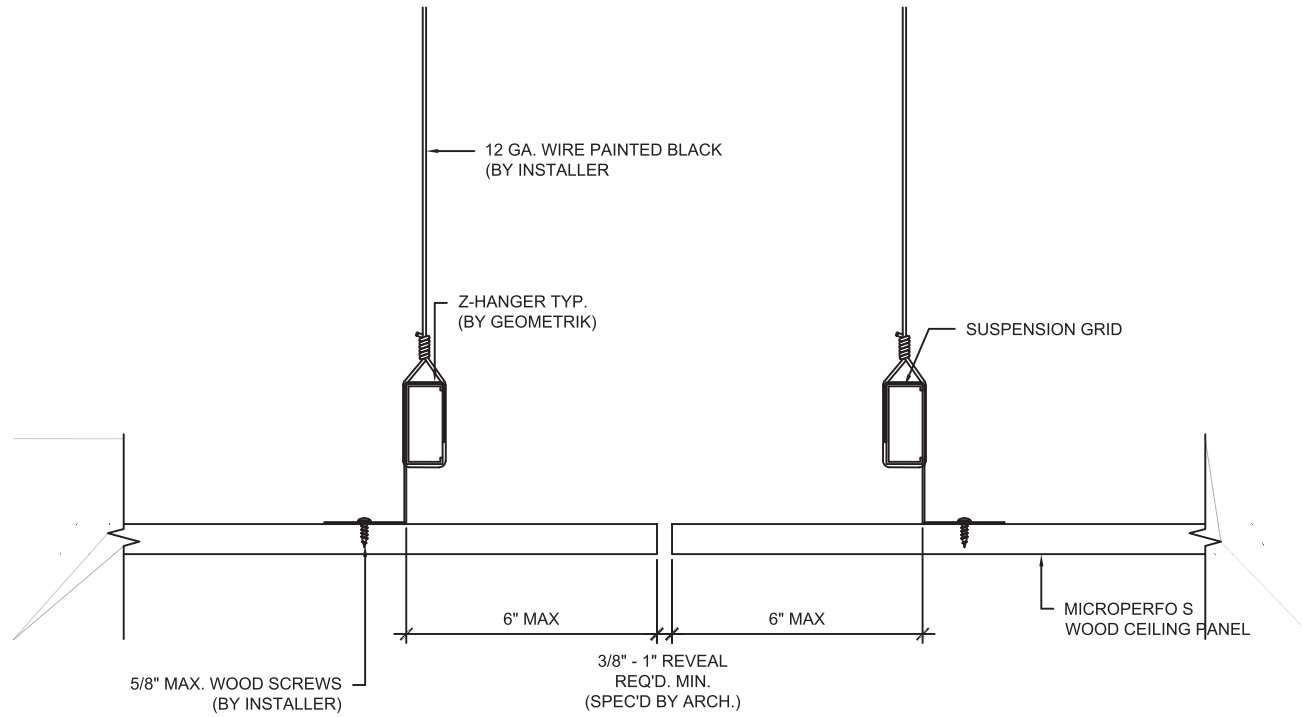
Product:  
**MICRO PERFO S**

Date: JAN 2018

Drawn By: MP

Sheet No:

**MP 2.1**



www.geometrik.com info@geometrik.com

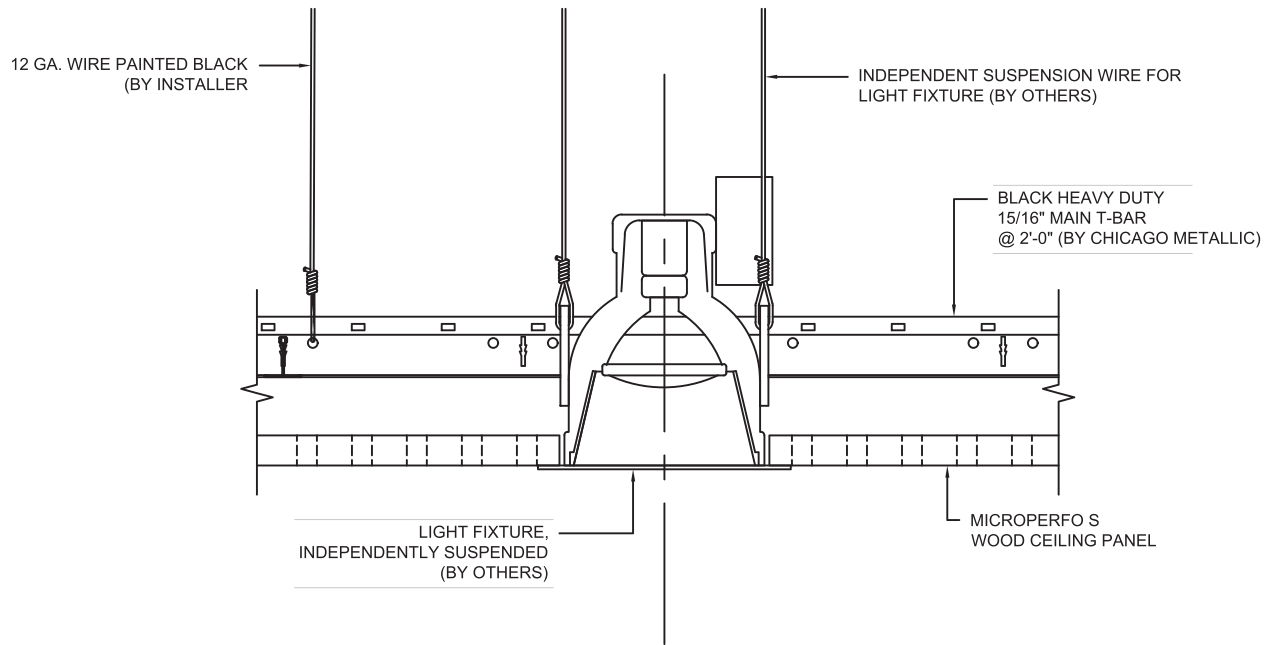
Description:  
**Z-HANGER  
 SUSPENSION SYSTEM**

Product:  
**MICRO PERFO S**

Date: JAN 2018 Drawn By: MP

Sheet No:

**MP 2.2**



www.geometrik.com info@geometrik.com

Description:  
**POT LIGHT  
 INSTALLATION**

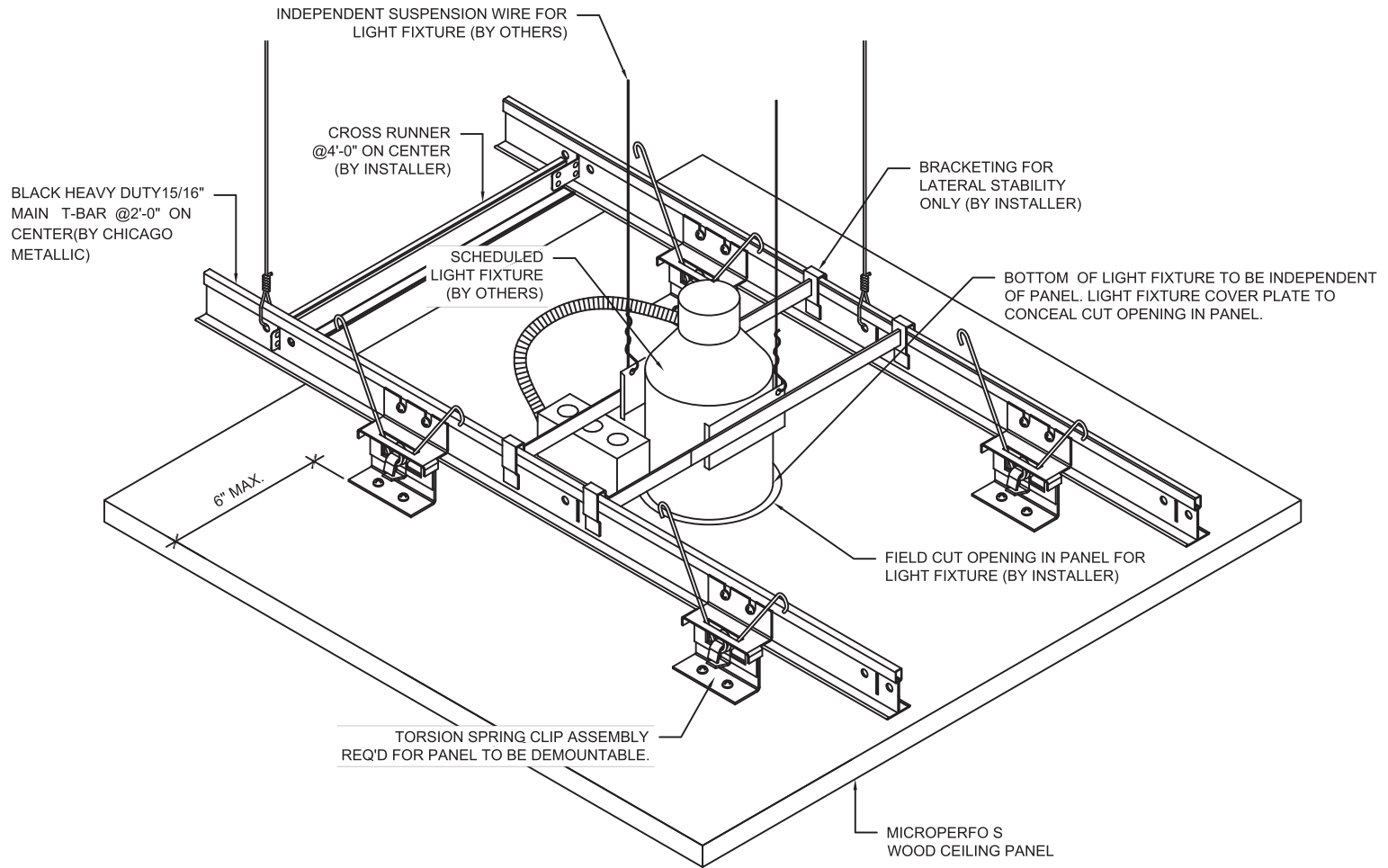
Product:  
**MICRO PERFO S**

Date: JAN 2018

Drawn By: MP

Sheet No:

**MP 3.0**



IMPORTANT:  
 CUT PANELS MAY HANG  
 UNSUPPORTED A MAXIMUM OF 6"  
 FROM NEAREST T BAR CLIP.



www.geometrik.com info@geometrik.com

Description:  
**POTLIGHT  
 CEILING INSTALL**

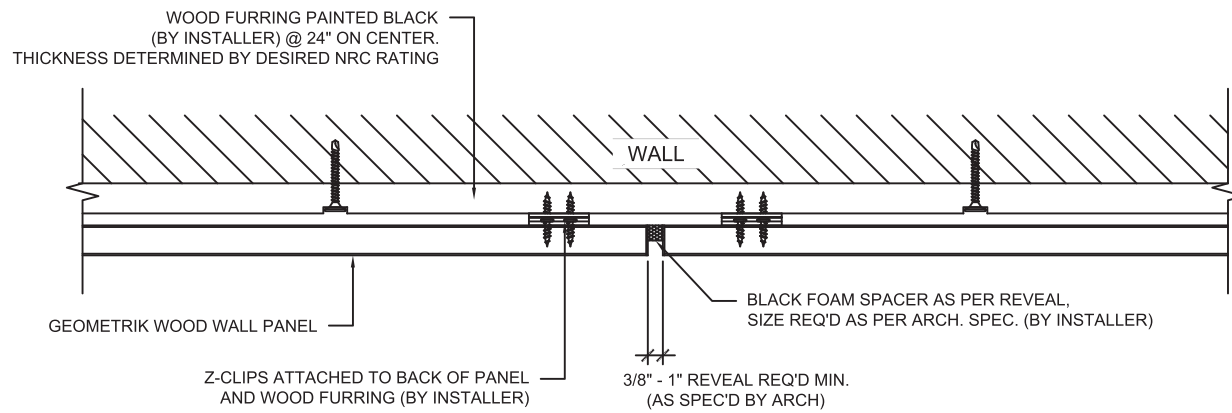
Product:  
**MICRO PERFO S**

Date: JAN 2018

Drawn By: MP

Sheet No:

**MP 3.1**



www.geometrik.com info@geometrik.com

Description:  
**WALL Z-CLIP  
ATTACHMENT**

Product:  
**MICRO PERFO S**

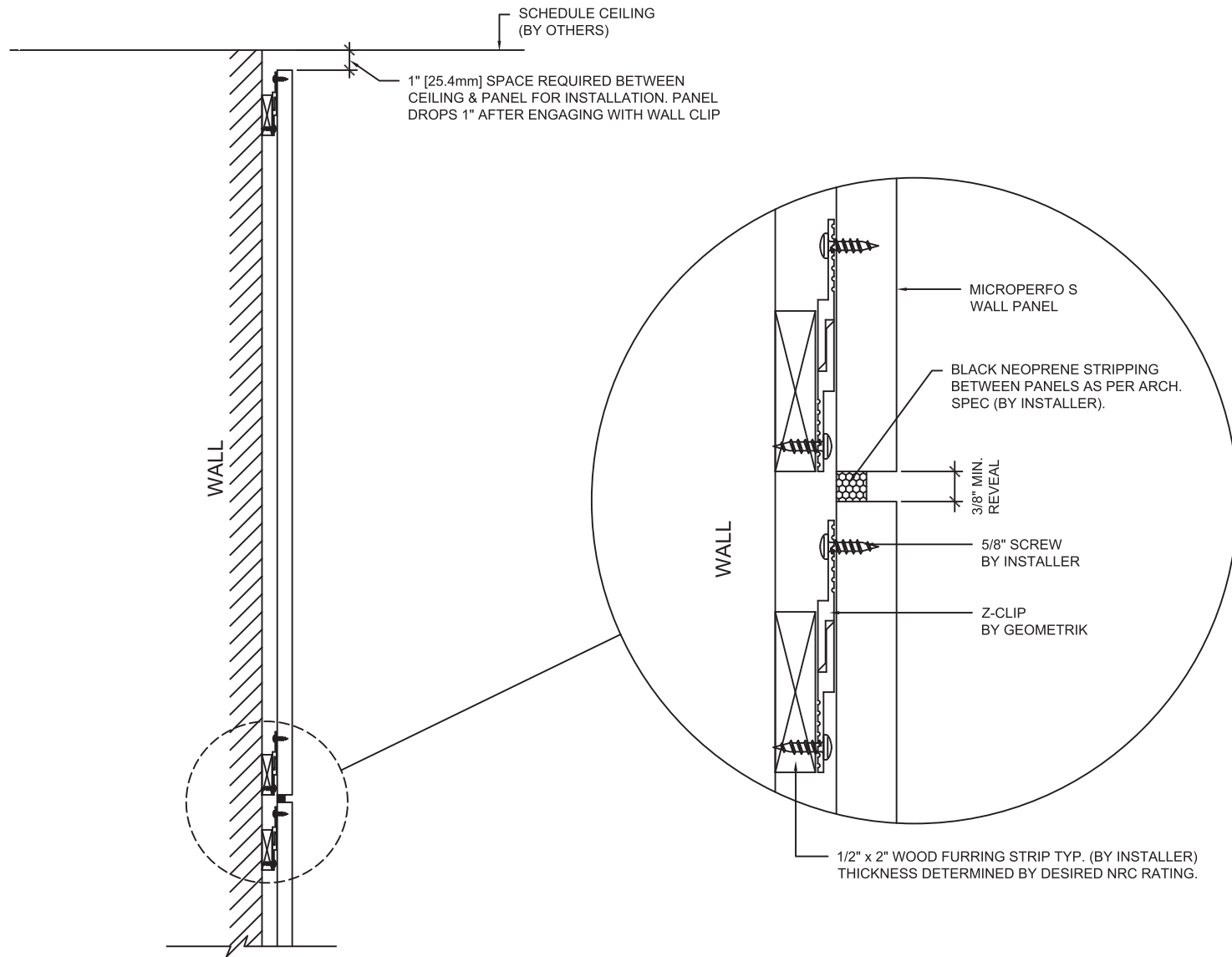
Date: JAN 2018

Drawn By: MP

Sheet No:

**MP 4.0**





www.geometrik.com info@geometrik.com

Description:  
**Z-CLIP  
ATTACHMENT DETAIL**

Product:  
**MICRO PERFO S**

Date: JAN 2018 Drawn By: MP

Sheet No:

**MP 4.1**